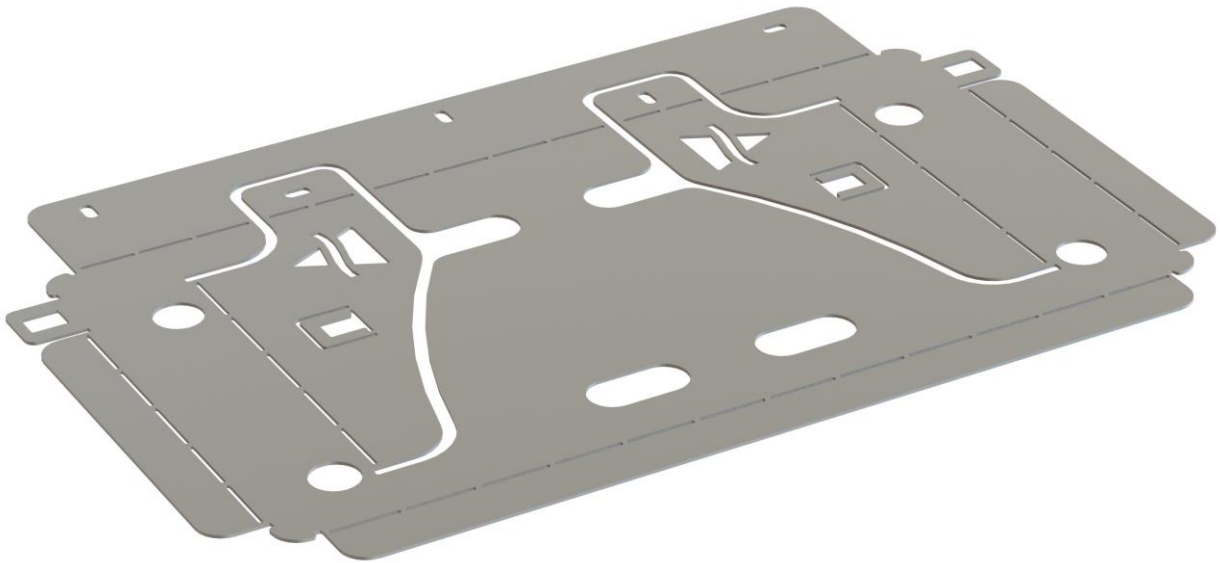


INSTRUCTION SHEET – WALL MOUNTING BRACKET FOR 100M, 100B, 200B, 200BL, 200BLS



STEP 1: FOLD UPWARDS

STEP 2: FOLD DOWNWARDS

STEP 3: FOLD TO FRONT

