

EN	Installation & Operating Guide WATER SOFTENER - SIMPLEX	Page 2
FR	Guide d'Installation & Utilisation ADOUCCISSEUR D'EAU - SIMPLEX	Page 8
DE	Installation & Bedienungsanleitung WASSERENTHÄRTER - SIMPLEX	Seite 14
NL	Installatie & Bedieningshandleiding WATERONTHARDER - SIMPLEX	Pagina 20



DTSO-100-M

Simplex
Monobloc
Bypass $\frac{3}{4}$ " M BSP



DTSO-100-B

Simplex
Bibloc
Bypass $\frac{3}{4}$ " M BSP



DTSO-100-BS

Simplex
Bibloc Small
Bypass $\frac{3}{4}$ " M BSP

TALENT

TABLE OF CONTENT & DEVICE DATA SHEET

Table of content & Device Data Sheet	Page 2
Precautions & Introduction	Page 3
Installation	Page 4
Start-up & Settings	Page 5
Maintenance.....	Page 6

We thank you for purchasing this **Delta Water Engineering** device. We have developed and manufactured this device with great attention for innovation, performance and quality. This device features innovative and patented technology and has unique features that help make your life simpler. We advise you spend some time to read this document in order to get properly acquainted with the device and its functioning. For more information about our products and services, please contact your local **Delta Water Engineering** supplier, or visit our website.

www.deltawaterengineering.com.

OPERATING CONDITIONS

Operating pressure min. / max.	1,0 bar (15 psi) dynamic @ outlet / 8,0 bar (116 psi) static
Operating temperature min. / max.	4 °C (39 °F) / 40 °C (104 °F)

CONNECTIONS

Inlet & outlet	¾" BSP male
Drain from control valve	hose barb 13 mm (½")
Overflow from brine cabinet	hose barb 13 mm (½")
D.O.D. (Delta Open Drain adaptor)	outer diameter 40 mm (1,57") & 36 mm (1,42")

PERFORMANCE

Nominal service flow rate @ Δp 1 bar (15 psi)	25 ltr/min (6.6 gpm)
Drain flow rate	max. 3 ltr/min (0.8 gpm)
Exchange capacity per service cycle	150 ppm x m ³ (2,300 grains)
Salt consumption per regeneration	300 gr (0.66 lb)
Water consumption per regeneration	18 ltr (4.8 gal)

DEVICE LOG

Model: DTSO-100-M DTSO-100-B DTSO-100-BS

Serial Number: _____

Installation date: _____

Company name: _____

Installer name: _____

Tel. number: _____

To register your device go to:



Delta Water Engineering, the manufacturer of this device, reserves all rights to the copyright of this Installation & Operating Guide. Reproduction of any part of this document, in any form, is not allowed without the explicit written consent of the manufacturer. The manufacturer reserves the right to modifications without prior notice.

© Delta Water Engineering

PRECAUTIONS & INTRODUCTION

GENERAL

- **Read this guide carefully.** Failure to follow the instructions contained in this guide:
 1. **will render the warranty null and void.**
 2. could cause personal injury or damage to the device or the property, for which the manufacturer cannot be held responsible.
- If you have any questions or remarks, contact your Delta supplier before you begin with the installation of the device.
- Keep this guide in a safe place and make sure that new users are familiar with the content.
- Make sure you have all necessary tools on hand before you begin with the installation of the device.
- Follow all local legal regulations.

INTENDED USE OF THE DEVICE

- The device is intended to remove hardness ions (calcium, magnesium) from cold drinking water; it will not remove other contaminants present in the water!
- The device is primarily intended for residential applications; during regeneration the device will be in automatic bypass, resulting in a short period of untreated hard water.

INSTALLATION OF THE DEVICE

- The device must be installed on a flat, stable base.
- The device must be installed indoors, protected from direct sunlight.
- The device must be installed on a dry location and certainly not in an acidic environment.
- Do not install the device close to a heating source; the ambient temperature must be below 40 °C (104 °F).
- Protect the device and all of its hydraulic connections against frost.

FUNCTIONING

This device is a water softener that removes hardness from the incoming water. It functions according to the principle of 'ion exchange'.

In service mode it exchanges the hardness-ions calcium (Ca) and magnesium (Mg) by sodium (Na). At the start of the service cycle the ion exchange resin beads inside the device are loaded with sodium-ions; because the ion exchange resin has a preference to attract calcium- and magnesium-ions, the resin beads, when hard water flows through the device, release their sodium-ions to the water and in return replace them by calcium- and magnesium-ions. This ion exchange process continues until all sodium-ions on the resin beads are replaced by calcium- and/or magnesium-ions; at that point the resin beads are 'saturated' and need to be regenerated.

In regeneration mode the ion exchange process is reversed. The brine cabinet, which contains regeneration salt (NaCl = sodium chloride), is automatically filled with a specific amount of water, which dissolves a specific amount of regeneration salt to form a brine solution. This brine solution is sucked up by the control valve by means of a vacuum and flows over the saturated resin beads inside the device, to the drain. During this 'brining cycle' the ion exchange process is reversed thanks to the excessive concentration of sodium-ions present in the brine solution; the resin beads release their calcium- and magnesium-ions to the rinse water and replace them by sodium-ions again. When the device is in regeneration, it automatically goes into bypass, resulting in a short period of untreated hard water.

The device functions solely by the hydraulic pressure of the incoming water supply; therefore, it has no electrical components, like power transformers, motors, switches or cables. All moving parts inside the device are brought into movement by the water pressure only.

SCOPE OF DELIVERY & MAIN COMPONENTS

Illustration 1

- ① Bypass valve (3/4" male BSP)
- ② Control valve
- ③ Resin tank
- ④ Brine cabinet
- ⑤ Brine valve
- ⑥ Inlet port of control valve
- ⑦ Outlet port of control valve
- ⑧ Hardness blending regulator
- ⑨ Inlet hardness regulator
- ⑩ Brine valve connection with quick-connect fitting 4 mm
- ⑪ Drain connection

INSTALLATION

PREPARATION

Illustration 2

For DTSO-100-M:

1. Determine the most convenient orientation of the hydraulic connections for the specific installation location; they can be directed to the left, the back or the right side of the brine cabinet.
2. Remove the covers from the brine cabinet.
3. Remove the control valve and resin tank assembly from the brine cabinet.
4. Position the support plate inside the brine cabinet in the correct position; the arrow (➔) in the support plate indicates the orientation of the hydraulic connections.

Illustration 3

5. For DTSO-100-M and DTSO-100-B: drill a hole with diam. 21 mm (0,83") in the side wall of the brine cabinet; the exact position of the hole is not important, as long as it is approx. 10 cm (4") below the edge of the brine cabinet; make sure to remove any drilling debris from the brine cabinet.
6. Insert the overflow elbow (with gasket) into the hole; at the inside of the brine cabinet, secure it with the nut.
7. For DTSO-100-M: put the control valve and resin tank assembly back into the brine cabinet in the correct position.

INLET - OUTLET

IMPORTANT NOTICE

- **THE WATER MUST BE FREE FROM SEDIMENT, CHLORINE, IRON AND MANGANESE!** We strongly recommend the installation of a sediment pre-filter and/or other protective filter(s) upstream from the device.
- **THE DYNAMIC WATER PRESSURE AT THE OUTLET OF THE DEVICE MUST AT LEAST BE 1 BAR (15 PSI) AT ALL TIMES TO ENSURE PROPER FUNCTIONING!** In case of doubt, we strongly recommend the installation of our proprietary Delta Pressure Guard.
- We strongly recommend to connect the device to the piping by means of flexible hoses.
- If the device is not installed using the provided bypass valve, we strongly recommend to install a 3-valve bypass system to isolate the device from the water distribution network.
- The provided bypass valve is not intended to be used as a stand-alone shut off valve.
- Before you start any plumbing work, make sure to shut off the water supply to the place of installation and to depressurize the piping.

Illustration 4

1. Install the bypass valve, with the green handle pointing upwards, on the inlet/outlet ports of the control valve; make sure the filter screen in the inlet port of the control valve stays in place; secure them by means of the clips.
2. Connect the water supply to the inlet; respect the flow direction, as marked by means of an arrow (➔).
3. Connect the internal piping system to the outlet; respect the flow direction, as marked by means of an arrow (➔).

DRAIN

IMPORTANT NOTICE

- Always use the provided grey reinforced flexible hose to connect the drain of the control valve and the overflow of the brine cabinet to the sewerage system.
- Always use separate hoses for the drain of the control valve and the overflow of the brine cabinet.
- In case of a permanent connection of the hoses to the sewerage system, an air gap must be provided to prevent any form of backflow. Use the provided D.O.D. adaptor; make sure it is installed in a stand pipe that is at least 20 cm long.
- To guarantee proper functioning of the device, avoid pinching and unnecessary kinks and elevations of the drain hoses.

Illustration 5 - 6

1. In case a D.O.D. adaptor is used, install it in the stand pipe; it fits inside a 40 mm pipe or a 40 mm coupling. Ensure a permanent and watertight connection.
2. Slide one end of a first flexible hose over the drain connection of the control valve; use soapy water as a lubricant; push it on as far as possible.
3. Run the other end of the flexible hose to the sewerage system; shorten it to the proper length. This hose operates under pressure, so it may be installed higher than the device (max. 2 mtr).
4. In case a D.O.D. adaptor is used, slide the flexible hose over one of the two hose barb connections on the D.O.D. adaptor; use soapy water as a lubricant; push it on as far as possible.
5. Slide one end of a second flexible hose over the overflow elbow; use soapy water as a lubricant; push it on as far as possible.
6. Run the other end of the flexible hose to the sewerage system; shorten it to the proper length. This hose does NOT operate under pressure, so it may NOT be installed higher than the device.
7. In case a D.O.D. adaptor is used, slide the flexible hose over the other hose barb connection on the D.O.D. adaptor; use soapy water as a lubricant; push it on as far as possible.

PRESSURIZING

IMPORTANT NOTICE

- After the plumbing work, impurities and foreign material may be left behind inside the piping; we highly recommend to isolate from the water network (i.e. disconnect or put in bypass) all water-using devices while rinsing the piping, to prevent these impurities and foreign materials from entering into these water-using devices.

1. Make sure the handle on the bypass valve is in 'BYPASS' position; if necessary rotate the handle clockwise to the 'BYPASS' position.
2. Open the water supply.
3. Open a cold water faucet downstream of the device and let the water run until all air is purged and all foreign material is washed out; close the faucet.
4. Rotate the handle on the bypass valve counter clockwise to the 'SERVICE' position.
5. Open a cold water faucet downstream of the device and let the water run until all air is purged; close the faucet.
6. Check the device and all hydraulic connections for leaks.

START-UP / MANUAL REGENERATION

Illustration 7 - 8

1. Fill the brine cabinet with regeneration salt.
2. Using a bucket, add water to the brine cabinet :
DTSO-100-M : approx. 6 ltr
DTSO-100-B : approx. 6 ltr
DTSO-100-BS : approx. 3 ltr
3. On the control valve of the device, using a hex key n° 5, turn the program disc counter clockwise until the regeneration starts.
4. Allow the device to perform a full regeneration, which will take approx. 15 min; afterwards, the device will automatically return to the service position.
5. Check the drain hose from the control valve; there should not be any water flow.

INLET HARDNESS REGULATOR

IMPORTANT NOTICE

- *The hardness of the untreated incoming water may vary in time, depending on the seasons and the origin of the water. We recommend to check the water hardness regularly, at least every 3 months, and to adjust the setting of the inlet hardness regulator accordingly.*

Illustration 9

1. Determine the hardness of the untreated incoming water; make sure to express it in 'ppm CaCO₃':
1 °f (French degree) = 10 ppm CaCO₃
1 °D (German degree) = 17,8 ppm CaCO₃
1 gpg (grains per gallon) = 17,1 ppm CaCO₃
2. Using a hex key n° 5, turn the inlet hardness regulator to the 'ppm' value corresponding to the hardness of the untreated incoming water.

HARDNESS BLENDING REGULATOR

IMPORTANT NOTICE

- *The hardness blending regulator can be used to regulate the residual hardness of the treated water as it leaves the device. Once set it blends untreated water with the treated water at a fixed proportion. Therefore, the residual hardness will follow possible fluctuations of the hardness of the untreated incoming water.*

Illustration 10

1. Determine the blending proportion, by dividing the desired residual hardness by the hardness of the untreated incoming water.
2. Using a hex key n° 5, turn the hardness blending regulator to the desired blending proportion value.
3. Open a cold water faucet downstream of the device and let the water run for a few moments; take a water sample and measure the residual hardness of the water; adjust the setting of the hardness blending regulator if necessary:
 - to raise the residual hardness: turn the hardness blending regulator counter clockwise.
 - to reduce the residual hardness: turn the hardness blending regulator clockwise.

MAINTENANCE



IMPORTANT NOTICE

- *Although the device has been manufactured using premium materials and components, a basic inspection by the user is necessary to verify it functions properly and performs optimally.*
- *When any kind of malfunction on the device is observed, we strongly recommend to put the device in bypass immediately and to contact your local Delta Water Engineering supplier for assistance.*
- *We recommend to have the device serviced on a regular basis by a duly trained professional technician. He will be able to determine the appropriate maintenance interval for the device, depending on your specific application and the local operating conditions.*

BASIC INSPECTION

At least once every 3 months, the user must perform a basic inspection of the device:

1. Check the drain hose from the control valve; there should not be any water flow (unless the device is in regeneration).
2. Check the hose from the overflow of the brine cabinet; there should not be any water flow.
3. Check the device and all hydraulic connections for leaks. Rotate the handle on the bypass valve clockwise to the 'BYPASS' position immediately, if any sign of leakage is observed.
4. Measure the hardness of the untreated incoming water; adjust the setting of the hardness regulator if necessary.
5. Measure the residual hardness of the treated water; adjust the setting of the blending regulator if necessary.

BYPASSING THE DEVICE

The device is provided with a bypass valve that enables the user to isolate the device hydraulically from the piping.

- To put the device in bypass position: rotate the handle on the bypass valve clockwise to the 'BYPASS' position.
- To put the device in service position: rotate the handle on the bypass valve counter clockwise to the 'SERVICE' position.

SALT REFILLING



IMPORTANT NOTICE

- *A SUFFICIENT AMOUNT OF REGENERATION SALT INSIDE THE BRINE CABINET IS ESSENTIAL FOR PROPER FUNCTIONING OF THE DEVICE. We strongly recommend to check it regularly.*
- *The salt consumption of the device depends on the water consumption and the hardness of the untreated incoming water. Contact your local Delta Water Engineering supplier for more information.*

1. Remove the cover from the brine cabinet.
2. Check the salt level inside the brine cabinet; when it is less than ½ full, fill the brine cabinet with regeneration salt.
3. Install the cover on the brine cabinet.

CLEANING



IMPORTANT NOTICE

- *NEVER USE ANY AGGRESSIVE, CORROSIVE, ACIDIC OR ALKALINE CHEMICALS TO CLEAN THE DEVICE, AS THEY MAY DAMAGE THE PLASTIC COMPONENTS OF THE DEVICE!*

1. Using a damp cloth, gently clean the outside of the device.

SANITIZING



IMPORTANT NOTICE

- *ONLY USE OUR PROPRIETARY RESIN CLEANING AGENT TO SANITIZE THE DEVICE! NEVER USE ANY OTHER RESIN CLEANING AGENTS, AS THEY MAY DAMAGE THE PLASTIC COMPONENTS OF THE DEVICE AS WELL AS THE ION EXCHANGE RESIN.*
- *Whenever the device has been in contact with water of unknown quality, we strongly recommend to sanitize the device before putting it back into service. Contact your local Delta Water Engineering supplier for assistance.*
- *In case of a long period of non-use of the device, we strongly recommend to thoroughly rinse the device by opening a cold water faucet downstream of the device and letting the water run for a few minutes. Additionally, you may want to manually start a regeneration.*

TABLE DES MATIÈRES & FICHE TECHNIQUE DE L'APPAREIL

Table des matières & Fiche Technique de l'Appareil	Page 8
Précautions & Introduction	Page 9
Installation	Page 10
Mise en marche & Réglages	Page 11
Entretien	Page 12

Nous vous remercions d'avoir acheté cet appareil **Delta Water Engineering**. Nous avons développé et fabriqué cet appareil avec une grande attention pour l'innovation, la performance et la qualité. Cet appareil dispose de technologie innovante et brevetée et possède des caractéristiques uniques afin de vous simplifier la vie. Nous vous conseillons de prendre un peu de temps pour lire ce document afin de vous familiariser correctement avec l'appareil et son fonctionnement. Pour plus d'informations sur nos produits et services, veuillez contacter votre fournisseur **Delta Water Engineering** local, ou visiter notre site internet:

www.deltawaterengineering.com

CONDITIONS DE FONCTIONNEMENT

Pression de service min. / max.	1,0 bar (15 psi) en dynamique à la sortie / 8,0 bar (116 psi) en statique
Température de service min. / max.	4 °C (39 °F) / 40 °C (104 °F)

RACCORDEMENTS

Entrée & Sortie	¾" BSP mâle
Égout de la vanne de commande	raccord cannelé 13 mm (½")
Trop plein du bac à sel	raccord cannelé 13 mm (½")
D.O.D. (adaptateur d'égout Delta Open Drain)	diamètre extérieur 40 mm & 36 mm

PERFORMANCE

Débit de service nominal @ Δp 1 bar (15 psi)	25 ltr/min (6.6 gpm)
Débit à l'égout	max. 3 ltr/min (0.8 gpm)
Capacité d'échange par cycle de service	150 ppm x m ³ (2,300 grains)
Consommation de sel par régénération	300 gr (0.66 lb)
Consommation d'eau par régénération	18 ltr (4.8 gal)

JOURNAL D'APPAREIL

Modèle: DTSO-100-M DTSO-100-B DTSO-100-BS

Numéro série: _____

Date installation: _____

Nom société: _____

Nom installateur: _____

Numéro tél.: _____

Enregistrez votre appareil sur:



Delta Water Engineering, le fabricant de cet appareil, se réserve tous les droits sur le droit d'auteur de ce Guide d'Installation & Utilisation. La reproduction de toute partie de ce document, sous quelque forme que ce soit, n'est pas autorisée sans le consentement explicite en écrit du fabricant. Le fabricant se réserve le droit d'apporter des modifications sans préavis.

© Delta Water Engineering

PRÉCAUTIONS & INTRODUCTION

- **Lisez attentivement ce guide.** Ne pas suivre les instructions stipulées dans ce guide:
 1. **mettra fin à la garantie.**
 2. pourrait causer des blessures personnelles ou des dommages à l'appareil ou à la propriété, pour lesquelles le fabricant ne peut pas être tenu responsable.
- Si vous avez des questions ou des remarques, contactez votre fournisseur Delta local avant de commencer l'installation de l'appareil.
- Conservez ce guide dans un endroit sûr et assurez-vous que de nouveaux utilisateurs sont au courant du contenu.
- Assurez-vous d'avoir tous les outils nécessaires à portée de main avant de commencer l'installation de l'appareil.
- Suivez tous les réglementations légales locales.

USAGE PRÉVU DE L'APPAREIL

- L'appareil est destiné à éliminer les ions de dureté (calcium, magnésium) de l'eau potable froide; il n'éliminera pas les autres contaminants présents dans l'eau!
- L'appareil est principalement destiné aux applications résidentielles; pendant la régénération, l'appareil sera en bypass automatique, ce qui entraînera une courte période d'eau dure non traitée.

INSTALLATION DE L'APPAREIL

- L'appareil doit être installé sur une surface plate et stable.
- L'appareil doit être installé à l'intérieur, à l'abri de la lumière directe du soleil.
- L'appareil doit être installé dans un endroit sec et surtout pas dans un environnement acide.
- N'installez pas l'appareil à côté d'une source de chaleur; la température ambiante doit être inférieure à 40°C (104 °F).
- Protégez l'appareil et toutes ses raccords hydrauliques contre le gel.

FONCTIONNEMENT

Cet appareil est un adoucisseur d'eau qui élimine la dureté de l'eau entrante. L'appareil fonctionne selon le principe 'd'échange d'ions'.

En mode service, il échange les ions de dureté calcium (Ca) et magnésium (Mg) par du sodium (Na). Au début du cycle de service, les billes de résine échangeuse d'ions à l'intérieur de l'appareil sont chargées en ions Sodium; parce que la résine échangeuse d'ions a une préférence pour attirer les ions calcium et magnésium, les billes de résine, lorsque l'eau dure s'écoule à travers l'appareil, lâchent leurs ions Sodium dans l'eau et en échange les remplacent par des ions calcium et magnésium. Ce processus d'échange d'ions se poursuit jusqu'à ce que tous les ions sodium sur les billes de résine soient remplacés par des ions calcium et/ou magnésium; à ce stade, les billes de résine sont 'saturées' et doivent être régénérées.

En mode régénération, le processus d'échange d'ions est inversé. Le bac à sel, contenant du sel de régénération (NaCl = chlorure de sodium), est automatiquement rempli d'une quantité spécifique d'eau, qui dissout une quantité spécifique de sel de régénération pour former une solution de saumure. Cette solution de saumure est aspirée par la vanne de commande au moyen d'un vide et s'écoule sur les billes de résine saturées à l'intérieur de l'appareil, vers l'égout. Au cours de ce 'cycle de saumurage', le processus d'échange d'ions est inversé grâce à la concentration excessive d'ions sodium présents dans la solution de saumure; les billes de résine lâchent leurs ions calcium et magnésium dans l'eau de rinçage et les remplacent à nouveau par des ions sodium. Lorsque l'appareil est en régénération,

il passe automatiquement en bypass, ce qui entraîne une courte période d'eau dure non traitée.

L'appareil fonctionne uniquement par la pression hydraulique du réseau d'eau entrante; par conséquent, il n'a pas de composants électriques, comme des transformateurs, des moteurs, des contacts ou des câbles. Toutes les pièces mobiles à l'intérieur de l'appareil sont mises en mouvement uniquement par la pression d'eau.

CONTENU DU COLISSAGE & PRINCIPAUX COMPOSANTS

Illustration 1

- ① Vanne bypass (3/4" BSP mâle BSP)
- ② Vanne de commande
- ③ Bouteille à résine
- ④ Bac à sel
- ⑤ Vanne à saumure
- ⑥ Port d'entrée de la vanne de commande
- ⑦ Port de sortie de la vanne de commande
- ⑧ Régulateur de dureté résiduelle
- ⑨ Régulateur de dureté entrante
- ⑩ Raccord de la vanne à saumure avec raccord rapide 4 mm
- ⑪ Raccord d'égout

INSTALLATION

PRÉPARATION

Illustration 2

Pour DTSO-100-M:

1. Déterminez l'orientation la plus pratique des raccordements hydrauliques pour l'emplacement d'installation spécifique; ils peuvent être dirigés vers la gauche, l'arrière ou le côté droit du bac à sel.
1. Enlevez les capots du bac à sel.
2. Enlevez l'ensemble vanne de commande et bouteille à résine du bac à sel.
3. Positionnez la plaque de support à l'intérieur du bac à sel dans la bonne position. la flèche (→) dans la plaque de support indique l'orientation des connexions hydrauliques.

Illustration 3

4. Pour DTSO-100-M et DTSO-100-B: percez un trou avec diam. 21 mm (0,83") dans la paroi latérale du bac à sel; la position exacte du trou n'est pas importante, tant qu'elle est d'env. 10 cm (4") sous le bord du bac à sel; assurez-vous d'enlever tous les débris de perçage du bac à sel.
5. Insérez le coude de trop-plein (avec joint) dans le trou; à l'intérieur du bac à sel, fixez-le par moyen de l'écrou.
6. Pour DTSO-100-M: installez l'ensemble vanne de commande et bouteille à résine dans le bac à sel dans la position correcte.

ENTRÉE - SORTIE

NOTICE IMPORTANTE

- **L'EAU DOIT ÊTRE SANS SÉDIMENT, CHLORE, FER ET MANGANÈSE!** Nous recommandons fortement l'installation d'un préfiltre à sédiments et/ou d'autres filtres de protection en amont de l'appareil.
- **LA PRESSION DYNAMIQUE DE L'EAU À LA SORTIE DE L'APPAREIL DOIT AU MOINS ÊTRE DE 1 BAR À TOUT MOMENT POUR ASSURER LE BON UN FONCTIONNEMENT!** En cas de doute, nous recommandons fortement l'installation de notre propre *Pressure Guard*.
- Nous vous recommandons fortement de connecter l'appareil à la tuyauterie au moyen de tuyaux flexibles.
- Si l'appareil n'est pas installé en utilisant la vanne bypass fournie, nous recommandons fortement d'installer un système de bypass à 3 soupapes pour isoler l'appareil du réseau de distribution d'eau.
- La vanne bypass fournie n'est pas destinée à être utilisée comme une vanne d'arrêt autonome.
- Avant d'entamer les travaux de plomberie, assurez-vous de couper l'alimentation d'eau au lieu d'installation et de dépressuriser la tuyauterie.

Illustration 4

1. Installez la vanne bypass, avec la poignée verte dirigée vers le haut, sur les ports d'entrée/sortie de la vanne de commande; assurez-vous que le filtre dans le port d'entrée de la vanne demeure en place; fixer la vanne bypass au moyen des clips.
2. Branchez l'alimentation d'eau à l'entrée; respectez le sens d'écoulement, comme indiqué au moyen d'une flèche (→).
3. Branchez la tuyauterie interne à la sortie; respectez le sens d'écoulement, comme indiqué au moyen d'une flèche (→).

ÉGOUT

NOTICE IMPORTANTE

- Utilisez toujours le tuyau flexible renforcé gris fourni pour raccorder l'égout de de la vanne de commande et le trop-plein du bac à sel au réseau d'évacuation.
- Utilisez toujours des tuyaux séparés pour la vanne de commande et le trop-plein du bac à sel.
- En cas de raccordement permanent des tuyaux au réseau d'évacuation, une rupture de charge doit être prévue afin de prévenir toute forme de reflux. Utilisez l'adaptateur d'égout D.O.D. fourni; assurez-vous qu'il est installé dans un tube rigide vertical d'au moins 20 cm de long.
- Pour garantir le bon fonctionnement de l'appareil, évitez les pincements et les nœuds et élévations inutiles des tuyaux d'égout.

Illustration 5 - 6

1. Dans le cas où un adaptateur d'égout D.O.D. est utilisé, installez-le dans le tube vertical; il s'adapte à l'intérieur d'un tube de 40 mm ou d'un raccord de 40 mm. Assurer une connexion permanente et étanche.
2. Poussez une extrémité du premier tuyau flexible sur le raccord d'égout de la vanne de commande; utilisez de l'eau savonneuse comme lubrifiant; poussez-le le plus loin possible.
3. Acheminez l'autre extrémité du tuyau flexible vers le réseau d'évacuation; raccourcissez-le à la bonne longueur. Ce tuyau fonctionne sous pression, alors il peut être relevé plus haut que l'appareil (max. 2 mtr).
4. Dans le cas où un adaptateur d'égout D.O.D. est installé, poussez le tuyau flexible sur l'un des deux raccords cannelés de l'adaptateur d'égout D.O.D.; utilisez de l'eau savonneuse comme lubrifiant; poussez-le le plus loin possible.
5. Poussez une extrémité du deuxième tuyau flexible sur le coude de trop-plein du bac à sel; utilisez de l'eau savonneuse comme lubrifiant; poussez-le le plus loin possible.
6. Acheminez l'autre extrémité du tuyau flexible vers le réseau d'évacuation; raccourcissez-le à la bonne longueur. Ce tuyau ne fonctionne PAS sous pression, alors il ne peut PAS être relevé plus haut que l'appareil.
7. Dans le cas où un adaptateur d'égout D.O.D. est installé, poussez le tuyau flexible sur l'autre raccord cannelé de l'adaptateur d'égout D.O.D.; utilisez de l'eau savonneuse comme lubrifiant; poussez-le le plus loin possible.

MISE SOUS PRESSION

NOTICE IMPORTANTE

- Après les travaux de plomberie, des impuretés et des matières étrangères peuvent se trouver dans la tuyauterie; nous recommandons fortement d'isoler du réseau d'eau (c.a.d. déconnecter ou mettre en bypass) tous les appareils consommant de l'eau pendant le rinçage de la tuyauterie, pour prévenir que ces impuretés et matières étrangères entrent dans ces appareils consommant de l'eau.

1. Assurez-vous que la poignée de la vanne bypass est en position 'BYPASS'; si nécessaire, tournez la poignée en sens horaire jusqu'à la position 'BYPASS'.
2. Ouvrez l'alimentation d'eau.
3. Ouvrez un robinet d'eau froide en aval de l'appareil et laissez couler l'eau jusqu'à ce que tout l'air soit purgé et toutes matières étrangères soient rincées; fermez le robinet.
4. Tournez la poignée de la vanne bypass en sens antihoraire jusqu'à la position 'SERVICE'.
5. Ouvrez un robinet d'eau froide en aval de l'appareil et laissez couler l'eau jusqu'à ce que tout l'air soit purgé; fermez le robinet.
6. Vérifiez que l'appareil et tous les raccordements hydrauliques ne fuient pas.

MISE EN MARCHÉ / RÉGÉNÉRATION MANUELLE

Illustration 7 - 8

1. Remplissez le bac à sel de sel de régénération.
2. À l'aide d'un seau, ajoutez d'eau dans le bac à sel :
DTSO-100-M : env. 6 ltr
DTSO-100-B : env. 6 ltr
DTSO-100-BS : env. 3 ltr
3. Sur la vanne de commande de l'appareil, à l'aide d'une clé hexagonale n° 5, tournez le disque de programme en sens antihoraire jusqu'à ce que la régénération démarre.
4. Laissez l'appareil effectuer une régénération complète, ce qui prendra env. 15 min; ensuite, l'appareil revient automatiquement en position de service.
5. Vérifiez le tuyau d'égout de la vanne de commande; il ne devrait pas y avoir d'écoulement d'eau.

REGULATEUR DE DURETÉ ENTRANTE

NOTICE IMPORTANTE

- *La dureté de l'eau entrante non traitée peut varier dans le temps, selon les saisons et l'origine de l'eau. Nous recommandons de vérifier la dureté de l'eau régulièrement, au moins tous les 3 mois, et d'ajuster le réglage du régulateur de dureté entrante en conséquence.*

Illustration 9

1. Déterminez la dureté de l'eau entrante non traitée; assurez-vous de l'exprimer en 'ppm CaCO₃':
1 °f (degré français) = 10 ppm CaCO₃
1 °D (degré allemand) = 17,8 ppm CaCO₃
1 gpg (grains par gallon) = 17,1 ppm CaCO₃
2. À l'aide d'une clé hexagonale n° 5, tournez le régulateur de dureté entrante à la valeur 'ppm' correspondante à la dureté de l'eau entrante non traitée.

REGULATEUR DE DURETÉ RÉSIDUELLE

NOTICE IMPORTANTE

- *Le régulateur de dureté résiduelle peut être utilisé pour réguler la dureté résiduelle de l'eau traitée lorsqu'elle sort de l'appareil. Une fois réglé, il mélange de l'eau non traitée avec l'eau traitée à une proportion fixe. Par conséquent, la dureté résiduelle suivra d'éventuelles fluctuations de la dureté de l'eau entrante non traitée.*

Illustration 10

4. Déterminez la proportion de mélange, en divisant la dureté résiduelle souhaitée par la dureté de l'eau entrante non traitée.
5. À l'aide d'une clé hexagonale n° 5, tournez le régulateur de dureté résiduelle à la valeur de proportion de mélange souhaitée.
6. Ouvrez un robinet d'eau froide en aval de l'appareil et laissez couler l'eau pendant quelques instants; prélever un échantillon d'eau et mesurez la dureté résiduelle de l'eau; ajustez le réglage du régulateur de dureté résiduelle si nécessaire:
 - pour augmenter la dureté résiduelle: tournez le régulateur de dureté résiduelle en sens antihoraire.
 - pour diminuer la dureté résiduelle: tournez le régulateur de dureté résiduelle en sens horaire.



NOTICE IMPORTANTE

- Bien que l'appareil ait été fabriqué avec des matériaux et composants de première qualité, une inspection de base par l'utilisateur est nécessaire pour vérifier qu'il fonctionne correctement et de manière optimale.
- Lorsqu'un dysfonctionnement est observé sur l'appareil, nous recommandons fortement de mettre l'appareil en bypass immédiatement et de contacter votre fournisseur Delta Water Engineering local pour assistance.
- Nous recommandons de faire entretenir l'appareil régulièrement par un technicien professionnel dûment formé. Il sera en mesure de déterminer l'intervalle de maintenance approprié pour l'appareil, dépendant de votre application spécifique et les conditions de fonctionnement locales.

INSPECTION DE BASE

Au moins une fois chaque 3 mois, l'utilisateur doit effectuer une inspection de base de l'appareil:

1. Vérifiez le tuyau d'égout de la vanne de commande; il ne devrait pas y avoir d'écoulement d'eau (sauf si l'appareil est en régénération).
2. Vérifiez le tuyau du trop-plein du bac à sel; il ne devrait pas y avoir d'écoulement d'eau.
3. Vérifiez que l'appareil et tous les raccords hydrauliques ne fuient pas. Tournez immédiatement la poignée de la vanne bypass en sens horaire jusqu'à la position 'BYPASS', si un signe de fuite est observé.
4. Mesurez la dureté de l'eau entrante non traitée; ajustez le réglage du régulateur de dureté entrante si nécessaire.
5. Mesurez la dureté résiduelle de l'eau traitée; ajustez le réglage du régulateur de dureté résiduelle si nécessaire.

METTRE L'APPAREIL EN BYPASS

L'appareil est fourni d'une vanne bypass qui permet à l'utilisateur d'isoler l'appareil de la tuyauterie.

- Pour mettre l'appareil en position bypass: tournez la poignée de la vanne bypass en sens horaire jusqu'à la position 'BYPASS'.
- Pour mettre l'appareil en position service: tournez la poignée de la vanne bypass en sens antihoraire jusqu'à la position 'SERVICE'.

REPLISSAGE DE SEL



NOTICE IMPORTANTE

- UNE QUANTITÉ SUFFISANTE DE SEL DE RÉGÉNÉRATION À L'INTÉRIEUR DU BAC À SEL EST ESSENTIELLE POUR UN FONCTIONNEMENT APPROPRIÉ DE L'APPAREIL. Nous vous recommandons fortement de le vérifier régulièrement.
- La consommation de sel de l'appareil dépend de la consommation d'eau et de la dureté de l'eau entrante non traitée. Contactez votre fournisseur Delta Water Engineering local pour plus d'informations.

1. Enlevez le capot du bac à sel.
2. Vérifiez le niveau de sel à l'intérieur du bac à sel; lorsqu'il est inférieur à moitié plein, remplissez le bac à sel de sel de régénération.
3. Installez le capot sur le bac à sel.

NETTOYAGE



NOTICE IMPORTANTE

- N'UTILISEZ JAMAIS DES PRODUITS CHIMIQUES AGGRESSIFS, CORROSIFS, ACIDES OU ALCALINS POUR NETTOYER L'APPAREIL, CAR ILS PEUVENT ENDOMMAGER LES COMPOSANTS PLASTIQUES DE L'APPAREIL!

1. À l'aide d'un chiffon humide, nettoyez l'extérieur de l'appareil.

ASSAINISSEMENT



NOTICE IMPORTANTE

- UTILISEZ UNIQUEMENT NOTRE AGENT DE NETTOYAGE DE RÉSINE PROPRIÉTAIRE POUR ASSAINIR L'APPAREIL! N'UTILISEZ JAMAIS D'AUTRES AGENTS DE NETTOYAGE DE RÉSINE, CAR ILS PEUVENT ENDOMMAGER LES COMPOSANTS EN PLASTIQUE DE L'APPAREIL AINSI QUE LA RÉSINE ÉCHANGEUSE D'IONS!
- Chaque fois que l'appareil a été en contact avec de l'eau de qualité inconnue, nous recommandons fortement d'assainir l'appareil avant de le remettre en service. Contacter votre fournisseur pour assistance.
- En cas de longue période de non-utilisation de l'appareil, nous recommandons fortement de rincer soigneusement l'appareil, en ouvrant un robinet d'eau froide en aval de l'appareil et laissant couler l'eau pendant quelques minutes. En outre, vous pouvez démarrer manuellement une régénération.

INHALTSVERZEICHNIS & GERÄTEDATENBLATT

Inhaltsverzeichnis & Gerätedatenblatt	Seite 14
Vorsichtsmaßnahmen & Einführung	Seite 15
Installation	Seite 16
Inbetriebnahme & Einstellungen	Seite 17
Wartung.....	Seite 18

Wir danken Ihnen für den Ankauf dieses **Delta Water Engineering** Geräts. Wir haben dieses Gerät mit großer Aufmerksamkeit für Innovation, Leistung und Qualität entwickelt und hergestellt. Dieses Gerät ist mit innovativer und patentierter Technologie ausgestattet und verfügt über einzigartige Funktionen, die Ihnen das Leben erleichtern. Wir empfehlen, dass Sie sich etwas Zeit nehmen, um dieses Dokument zu lesen und sich mit dem Gerät und seiner Funktionsweise vertraut zu machen. Weitere Informationen zu unseren Produkten und Dienstleistungen erhalten Sie von Ihrem lokalem **Delta Water Engineering**-Händler oder auf unserer Website.

www.deltawaterengineering.com.

BETRIEBSBEDINGUNGEN

Betriebsdruck min. / max.	1,0 bar (15 psi) dynamisch @ Auslass / 8,0 bar (116 psi) statisch
Betriebstemperatur min. / max.	4 °C (39 °F) / 40 °C (104 °F)

ANSCHLUSSE

Einlass & Auslass	¾" BSP Außengewinde
Abfluss des Steuerventils	Schlauchtülle 13 mm (½")
Überlauf vom Salzbehälter	Schlauchtülle 13 mm (½")
D.O.D. (Delta Open Drain Abflussadapter)	Außendurchmesser 40 mm (1,57") & 36 mm (1,42")

LEISTUNG

Nenndurchfluss Betrieb @ Δp 1 bar (15 psi)	25 ltr/min (6.6 gpm)
Durchfluss Abfluss	max. 3 ltr/min (0.8 gpm)
Austauschkapazität pro Betriebszyklus	150 ppm x m ³ (2,300 grains)
Salzverbrauch pro Regeneration	300 gr (0.66 lb)
Wasserverbrauch pro Regeneration	18 ltr (4.8 gal)

DATENBLATT

Modell: DTSO-100-M DTSO-100-B DTSO-100-BS

Seriennummer: _____

Installationsdatum: _____

Firmenname: _____

Name Installateur: _____

Tel. Nummer: _____

Registrieren Sie Ihr Gerät auf:



Delta Water Engineering, der Hersteller dieses Geräts, behält sich alle Rechte am Copyright dieser Installation & Bedienungsanleitung vor. Die Vervielfältigung von Teilen dieses Dokuments in jeglicher Form, ist ohne die ausdrückliche schriftliche Zustimmung des Herstellers nicht gestattet. Der Hersteller behält sich das Recht vor, Änderungen ohne vorherige Ankündigung vorzunehmen.

© Delta Water Engineering

VORSICHTSMAßNAHMEN & EINFÜHRUNG

ALGEMEIN

- **Lesen Sie diese Anleitung sorgfältig durch.** Nichtbeachtung der Anweisungen in dieser Anleitung:
 1. **wird die Garantie ungültig machen.**
 2. kann zu Personen- oder Sachschäden führen, für die der Hersteller nicht verantwortlich gemacht werden kann.
- Wenn Sie Fragen oder Anmerkungen haben, wenden Sie sich an Ihren Delta-Händler, bevor Sie mit der Installation des Geräts beginnen.
- Bewahren Sie diese Anleitung an einem sicheren Ort und vergewissern Sie sich, dass neue Benutzer mit dem Inhalt vertraut sind
- Stellen Sie sicher, dass Sie alle erforderlichen Werkzeuge zur Hand haben bevor Sie mit der Installation des Geräts beginnen.
- Beachten Sie alle örtlichen gesetzlichen Bestimmungen.

VERWENDUNGSZWECK DES GERÄTS

- Das Gerät soll Härte-Ionen (Kalzium, Magnesium) aus kaltem Trinkwasser entfernen; andere im Wasser vorhandene Verunreinigungen werden nicht entfernt!
- Das Gerät ist in erster Linie für Wohnhausanwendungen vorgesehen. Während der Regeneration befindet sich das Gerät im automatischen Bypass, was zu einer kurzen Zeit unbehandelten harten Wassers führt.

INSTALLATION DES GERÄTS

- Das Gerät muss auf einer flachen, stabilen Basis installiert werden.
- Das Gerät muss in Innenräumen installiert und vor direkter Sonneneinstrahlung geschützt werden.
- Das Gerät muss an einem trockenen Ort und keinesfalls in einer sauren Umgebung installiert werden.
- Installieren Sie das Gerät nicht in der Nähe einer Heizquelle; die Umgebungstemperatur muss unter 40 °C (104 °F) liegen.
- Schützen Sie das Gerät und alle Hydraulikanschlüsse vor Frost.

FUNKTIONSWEISE

Dieses Gerät ist ein Wasserenthärter, der die Härte des einströmenden Wassers entfernt. Es funktioniert nach dem Prinzip des 'Ionenaustauschs'.

Im Betriebsmodus werden die Härte-Ionen Calcium (Ca) und Magnesium (Mg) gegen Natrium (Na) ausgetauscht. Zu Beginn des Betriebszyklus sind die Ionenaustauschharzkügelchen im Inneren des Geräts mit Natriumionen beladen. Da das Ionenaustauscherharz bevorzugt Calcium- und Magnesiumionen anzieht, geben die Harzkügelchen, wenn hartes Wasser durch das Gerät fließt, ihre Natriumionen an das Wasser ab und ersetzen sie im Gegenzug durch Calcium- und Magnesiumionen. Dieser Ionenaustauschprozess wird fortgesetzt, bis alle Natriumionen auf den Harzkügelchen durch Calcium- und/oder Magnesiumionen ersetzt sind; zu diesem Zeitpunkt sind die Harzkügelchen 'gesättigt' und müssen regeneriert werden.

Im Regenerationsmodus wird der Ionenaustauschprozess umgekehrt. Der Salzbehälter, der Regenerationssalz (NaCl = Natriumchlorid) enthält, wird automatisch mit einer bestimmten Menge Wasser gefüllt, das eine bestimmte Menge Regenerationssalz löst, um eine Solelösung zu formen. Diese Solelösung wird mittels eines Vakuums vom Steuerventil angesaugt und fließt über die gesättigten Harzkügelchen im Inneren des Geräts zum Abfluss. Während diese 'Besatzungsstufe' wird der Ionenaustauschprozess aufgrund der übermäßigen Konzentration von Natriumionen in der Solelösung

umgekehrt; die Harzkügelchen geben ihre Calcium- und Magnesiumionen an das Spülwasser ab und ersetzen sie wieder durch Natriumionen. Wenn sich das Gerät in der Regeneration befindet, geht es automatisch in Bypass, was zu einer kurzen Zeit unbehandelten harten Wassers führt.

Das Gerät funktioniert ausschließlich durch den Hydraulikdruck der einströmenden Wasserversorgung; daher enthält es keine elektrischen Komponenten wie Leistungstransformatoren, Motoren, Schalter oder Kabel. Alle beweglichen Teile im Gerät werden nur durch den Wasserdruck in Bewegung gebracht.

LIEFERUMFANG & HAUPTKOMPONENTEN

Abbildung 1

- ① Bypassventil (3/4" BSP-Außengewinde)
- ② Steuerventil
- ③ Harztank
- ④ Salzbehälter
- ⑤ Soleventil
- ⑥ Einlass des Steuerventils
- ⑦ Auslass des Steuerventils
- ⑧ Verschneidungsregler
- ⑨ Einlasshärte-Regler
- ⑩ Soleventilanschluss mit Schnellkupplung 4 mm
- ⑪ Abflussanschluss

INSTALLATION

VORBEREITUNG

Abbildung 2

Für DTSO-100-M:

1. Bestimmen Sie die bequemste Ausrichtung der Hydraulikanschlüsse für den jeweiligen Installationsort. Sie können zur linken, hinteren oder rechten Seite vom Salzbehälter gerichtet werden.
2. Entfernen Sie die Abdeckungen vom Salzbehälter.
3. Entfernen Sie das Steuerventil und Harztank aus dem Salzbehälter.
4. Positionieren Sie die Stutzplatte in der richtigen Position in den Salzbehälter; der Pfeil (➔) in der Trägerplatte zeigt die Ausrichtung der Hydraulikanschlüsse an.

Abbildung 3

5. Für DTSO-100-M und DTSO-100-B: bohren Sie ein Loch mit Durchm. 21 mm (0,83") in der Seitenwand des Salzbehälters; die genaue Position des Lochs ist nicht wichtig, solange es ca. 10 cm unter dem Rand des Salzbehälters ist; Stellen Sie sicher, dass alle Bohrreste aus dem Salzbehälter entfernt werden.
6. Führen Sie den Überlaufellbogen (mit Dichtung) in das Loch ein; an der Innenseite des Salzbehälters, befestigen Sie es mit der Mutter.
7. Für DTSO-100-M: Setzen Sie das Steuerventil und Harztank in der richtigen Position wieder in den Salzbehälter ein.

EINLASS - AUSLASS

WICHTIGER HINWEIS

- **DAS WASSER MUSS FREI VON SEDIMENT, CHLOR, EISEN UND MANGAN SEIN!** Wir empfehlen dringend die Installation eines Sedimentvorfilters und/oder anderer Schutzfilter vor dem Gerät.
- **DER DYNAMISCHE WASSERDRUCK AM AUSGANG DES GERÄTS MUSS ZU JEDER ZEIT MINDESTENS 1 BAR (15 PSI) SEIN, um eine ordnungsgemäße Funktion zu gewährleisten!** Im Zweifelsfall empfehlen wir dringend die Installation unseres eigenes Delta Pressure Guard.
- Wir empfehlen dringend, das Gerät mit flexiblen Schläuchen an die Rohrleitungen anzuschließen.
- Wenn das Gerät nicht mit dem mitgelieferten Bypassventil installiert wird, empfehlen wir dringend, ein 3-Ventil-Bypass-System zu installieren, um das Gerät vom Wasserverteilungsnetz zu trennen.
- Das mitgelieferte Bypassventil ist nicht als eigenständiges Absperrventil vorgesehen.
- Bevor Sie mit den Installationsarbeiten beginnen, stellen Sie sicher, dass die Wasserzufuhr zum Installationsort unterbrochen ist und dass die Rohrleitung drucklos ist.

Abbildung 4

1. Installieren Sie das Bypassventil mit dem grünen Griff nach oben an den Einlass/Auslass des Steuerventils. Stellen Sie sicher, dass das Filtersieb in dem Einlass des Steuerventils an Ort und Stelle bleibt; sichern Sie sie mit den Clips.
2. Schließen Sie die Wasserzufuhr an den Einlass an; beachten Sie die Strömungsrichtung, wie durch einen Pfeil (➔) markiert.
3. Schließen Sie die interne Rohrleitung an den Auslass an; beachten Sie die Strömungsrichtung, wie durch einen Pfeil (➔) markiert.

ABFLUSS

WICHTIGER HINWEIS

- Verwenden Sie immer den mitgelieferten grauen verstärkten flexiblen Schlauch, um den Abfluss des Steuerventils und den Überlauf des Salzbehälters an das Abwassersystem anzuschließen.
- Verwenden Sie immer separate Schläuche für den Abfluss des Steuerventils und den Überlauf des Salzbehälters.
- Bei einer festen Verbindung der Schlauche mit dem Abwassersystem muss ein Luftspalt vorgesehen werden, um Rückfluss zu verhindern. Verwenden Sie den mitgelieferte D.O.D. Abflussadapter; stellen Sie sicher, dass er in einem Standrohr mit einer Länge von mindestens 20 cm installiert ist.
- Um eine einwandfreie Funktion des Geräts zu gewährleisten, vermeiden Sie Einklemmen und unnötige Knicke und Erhöhungen der Abflussschlauche.

Abbildung 5 - 6

1. Falls ein D.O.D. Adapter verwendet wird, installieren Sie es in das Standrohr; es passt in ein 40-mm-Rohr oder eine 40-mm-Kupplung. Stellen Sie eine dauerhafte und wasserdichte Verbindung sicher.
2. Schieben Sie ein Ende des ersten flexiblen Schlauchs über den Abflussanschluss des Steuerventils; verwenden Sie Seifenwasser als Gleitmittel; schieben Sie es so weit wie möglich auf.
3. Führen Sie das andere Ende des flexiblen Schlauchs zum Abwassersystem; kürzen Sie gegebenenfalls den Schlauch. Dieser Schlauch arbeitet unter Druck und kann daher höher als das Gerät installiert werden (max. 2 mtr).
4. Falls ein D.O.D. Adapter installiert ist, schieben Sie den flexiblen Schlauch über einen der beiden Schlauchstutzen am D.O.D. Adapter; verwenden Sie Seifenwasser als Gleitmittel; schieben Sie es so weit wie möglich auf.
5. Schieben Sie ein Ende des zweiten flexiblen Schlauchs über den Überlaufellbogen; verwenden Sie Seifenwasser als Gleitmittel; schieben Sie es so weit wie möglich auf.
6. Führen Sie das andere Ende des flexiblen Schlauchs zum Abwassersystem; kürzen Sie gegebenenfalls den Schlauch. Dieser Schlauch arbeitet NICHT unter Druck und kann daher NICHT höher als das Gerät installiert werden.
7. Falls ein D.O.D. Adapter installiert ist, schieben Sie den flexiblen Schlauch über den anderen Schlauchstutzen am D.O.D. Adapter; verwenden Sie Seifenwasser als Gleitmittel; schieben Sie es so weit wie möglich auf.

DRUCKAUFBAU

WICHTIGER HINWEIS

- Nach den Installationsarbeiten können Verunreinigungen und Fremdkörper in der Rohrleitung zurückbleiben. Es wird dringend empfohlen, alle wasserführenden Geräte vom Wassernetz zu trennen (d. h. trennen oder in Bypass stellen), während die Rohrleitungen gespült werden, um zu verhindern, dass diese Verunreinigungen und Fremdkörper in diese wasserführenden Geräte gelangen.

1. Stellen Sie sicher, dass sich der Griff am Bypassventil in der 'BYPASS' Position befindet. Drehen Sie gegebenenfalls den Griff im Uhrzeigersinn in die 'BYPASS' Position.
2. Öffnen Sie den Wasserzufuhr.
3. Öffnen Sie einen Kaltwasserhahn stromabwärts des Geräts und lassen Sie das Wasser laufen, bis die gesamte Luft gespült und alle Fremdkörper ausgewaschen sind; schließen Sie den Wasserhahn.
4. Drehen Sie den Griff am Bypassventil gegen den Uhrzeigersinn in die 'SERVICE' Position.
5. Öffnen Sie einen Kaltwasserhahn stromabwärts des Geräts und lassen Sie das Wasser laufen, bis die gesamte Luft gespült ist; schließen Sie den Wasserhahn.
6. Überprüfen Sie das Gerät und alle Hydraulikanschlüsse auf Undichtigkeiten.

START / MANUELLE REGENERATION

Abbildung 7 - 8

1. Füllen Sie den Salzbehälter mit Regenerationsalz.
2. Fügen Sie mit Hilfe einem Eimer Wasser in den Salzbehälter :
DTSO-100-M : ca. 6 ltr
DTSO-100-B : ca. 6 ltr
DTSO-100-BS : ca. 3 ltr
3. Am Steuerventil des Geräts, drehen Sie mit Hilfe einen Inbusschlüssel n° 5 die Programmscheibe gegen den Uhrzeigersinn bis die Regeneration beginnt.
4. Lassen Sie das Gerät eine vollständige Regeneration durchführen, was ca. 15 Minuten dauern wird; danach kehrt das Gerät automatisch in die Serviceposition zurück.
5. Überprüfen Sie den Abflussschlauch vom Steuerventil; es darf kein Wasser fließen.

EINLASSHÄRTE-REGLER

WICHTIGER HINWEIS

- *Die Härte des unbehandelten einströmenden Wassers kann je nach Jahreszeit und Herkunft des Wassers zeitlich variieren. Wir empfehlen, die Wasserhärte regelmäßig, mindestens alle 3 Monate, zu überprüfen und die Einstellung des Einlasshärtereplers entsprechend anzupassen.*

Abbildung 9

1. Bestimmen Sie die Härte des unbehandelten einströmenden Wassers; stellen Sie sicher, dass Sie es in 'ppm CaCO₃' ausdrücken:
1 °f (französischer Grad) = 10 ppm CaCO₃
1 °D (deutscher Grad) = 17,8 ppm CaCO₃
1 gpg (grains pro Gallone) = 17,1 ppm CaCO₃
2. Drehen Sie mit Hilfe einen Inbusschlüssel n° 5 den Einlasshärte-Regler auf den 'ppm'-Wert, der der Härte des unbehandelten einströmenden Wassers entspricht.

VERSCHNEIDUNGSREGLER

WICHTIGER HINWEIS

- *Mit dem Verschneidungsregler kann die Resthärte des behandelten Wassers am Ausgang des Gerätes reguliert werden. Einmal abgeregelt wird unbehandeltes Wasser in einem festgelegten Verhältnis mit dem behandelten Wasser gemischt. Daher folgt die Resthärte möglichen Schwankungen der Härte des unbehandelten einströmenden Wassers.*

Abbildung 10

1. Bestimmen Sie das Verschneidungsverhältnis, durch Teilen der gewünschten Resthärte durch die Härte des unbehandelten einströmenden Wassers.
2. Drehen Sie mit Hilfe einen Inbusschlüssel n° 5 den Verschneidungsregler auf den gewünschten Verschneidungsverhältniswert.
3. Öffnen Sie einen Kaltwasserhahn stromabwärts des Geräts und lassen Sie das Wasser einige Momente laufen; nehmen Sie eine Wasserprobe und messen Sie die Resthärte des Wassers; passen Sie gegebenenfalls die Einstellung des Verschneidungsregler an:
 - um die Resthärte zu erhöhen: drehen Sie den Verschneidungsregler gegen den Uhrzeigersinn.
 - um die Resthärte zu verringern: drehen Sie den Verschneidungsregler im Uhrzeigersinn

WICHTIGER HINWEIS

- Obwohl das Gerät aus hochwertigen Materialien und Komponenten hergestellt wurde, ist eine Basisinspektion durch den Benutzer erforderlich, um sicherzustellen, dass es ordnungsgemäß funktioniert und eine optimale Leistung erbringt.
- Wir empfehlen dringend, das Gerät sofort in Bypass zu stellen und sich an Ihren Delta Water Engineering-Händler vor Ort zu wenden, um Unterstützung zu erhalten, wenn Störungen am Gerät auftreten.
- Wir empfehlen, das Gerät regelmäßig von einem entsprechend geschulten Fachmann warten zu lassen. Er kann das geeignete Wartungsintervall für das Gerät bestimmen, abhängig von Ihrer spezifischen Anwendung und den örtlichen Betriebsbedingungen.

BASISINSPEKTION

Der Benutzer muss mindestens alle 3 Monate eine Basisinspektion des Geräts durchführen:

1. Überprüfen Sie den Abflussschlauch vom Steuerventil; es darf kein Wasser fließen (es sei denn, das Gerät befindet sich in Regeneration).
2. Überprüfen Sie den Schlauch vom Überlauf des Salzbehälters; es darf kein Wasser fließen.
3. Überprüfen Sie das Gerät und alle Hydraulikanschlüsse auf Undichtigkeiten. Drehen Sie den Griff am Bypassventil sofort im Uhrzeigersinn in die 'BYPASS' Position, wenn Anzeichen von Undichtigkeit festgestellt wurden.
4. Messen Sie die Härte des unbehandelten einströmenden Wassers; passen Sie gegebenenfalls die Einstellung des Einlasshärte-Reglers an.
5. Messen Sie die Resthärte des behandelten Wassers; passen Sie gegebenenfalls die Einstellung des Verschneidungsreglers an.

GERÄT IN BYPASS STELLEN

Das Gerät ist mit einem Bypassventil ausgestattet, mit dem der Benutzer das Gerät hydraulisch von der Rohrleitung trennen kann.

- Gerät in Bypass-Position stellen: drehen Sie den Griff am Bypassventil im Uhrzeigersinn in die 'BYPASS' Position.
- Gerät in Betriebs-Position stellen: drehen Sie den Griff am Bypassventil gegen den Uhrzeigersinn in die 'SERVICE' Position.

SALZ NACHFÜLLEN

WICHTIGER HINWEIS

- EINE AUSREICHENDE MENGE AN REGENERATIONSSALZ IM SALZBEHÄLTER IST FÜR DIE ORDNUNGSGEMÄÑE FUNKTION DES GERÄTS VON WESENTLICHER BEDEUTUNG. Wir empfehlen dringend, dies regelmäßig zu überprüfen.
- Der Salzverbrauch des Gerätes hängt vom Wasserverbrauch und der Härte des unbehandelten einströmenden Wassers ab. Wenden Sie sich an Ihren Delta Water Engineering-Händler vor Ort für weitere Informationen.

1. Entfernen Sie die Abdeckung vom Salzbehälter.
2. Überprüfen Sie den Salzgehalt im Salzbehälter. Wenn es weniger als ½ voll ist, füllen Sie den Salzbehälter mit Regenerationssalz.
3. Installieren Sie die Abdeckung am Salzbehälter.

REINIGUNG

WICHTIGER HINWEIS

- VERWENDEN SIE NIEMALS AGGRESSIVE, KORROSIVE, SAURE ODER ALKALINE CHEMIKALIEN ZUR REINIGUNG DES GERÄTS, DA DIESE DIE KUNSTSTOFFKOMPONENTEN DES GERÄTS BESCHÄDIGEN KÖNNEN!

1. Reinigen Sie die Außenseite des Geräts vorsichtig mit einem feuchten Tuch.

TIEFREINIGUNG

WICHTIGER HINWEIS

- VERWENDEN SIE NUR UNSEREN EIGENEN HARZREINIGUNGSMITTEL UM DAS GERÄT ZU REINIGEN! VERWENDEN SIE NIEMALS ANDERE HARZREINIGUNGSMITTEL, DA DIESE DIE KUNSTSTOFFKOMPONENTEN DES GERÄTS SOWIE DAS IONENAUSTAUSCHHARZ BESCHÄDIGEN KÖNNEN.
- Wenn das Gerät mit Wasser unbekannter Qualität in Berührung gekommen ist oder wenn das Gerät längere Zeit nicht benutzt wurde, empfehlen wir dringend, das Gerät zu reinigen, bevor Sie es wieder in Betrieb nehmen.
- Bei längerer Nichtbenutzung des Geräts empfehlen wir dringend, das Gerät gründlich zu spülen, indem Sie einen Kaltwasserhahn stromabwärts des Geräts öffnen und das Wasser einige Minuten laufen lassen. Darüber hinaus möchten Sie manuell eine Regeneration starten.

INHOUDSTAFEL & TOESTELGEGEVENS

Inhoudstafel & Toestelgegevens	Pagina 20
Voorzorgsmaatregelen & Introductie	Pagina 21
Installatie	Pagina 22
Ingangstelling & Instellingen	Pagina 23
Onderhoud	Pagina 17

Wij danken u voor uw aankoop van dit **Delta Water Engineering** toestel. Wij hebben dit toestel ontwikkeld en gefabriceerd met veel aandacht voor innovatie, prestaties en kwaliteit. Dit toestel beschikt over innovatieve en gepatenteerde technologie en heeft unieke functies die uw leven gemakkelijker maken. Wij adviseren u om even de tijd te nemen om dit document te lezen teneinde vertrouwd te raken met het toestel en zijn werking. Voor meer informatie over onze producten en diensten, gelieve contact op te nemen met uw lokale **Delta Water Engineering** leverancier, of onze website te bezoeken.

www.deltawaterengineering.com

WERKINGSCONDITIES

Werkingsdruk min. / max.	1,0 bar (15 psi) dynamisch @ uitgang / 8,0 bar (116 psi) statisch
Werkings temperatuur min. / max.	4 °C (39 °F) / 40 °C (104 °F)

AANSLUITINGEN

Ingang & uitgang	¾" BSP mannelijk
Afvoer van besturingsklep	slangpilaar 13 mm (½")
Overloop van pekelbak	slangpilaar 13 mm (½")
D.O.D. (Delta Open Drain afvoeradapter)	buitendiameter 40 mm (1,57") & 36 mm (1,42")

PRESTATIES

Nominaal bedrijfsdebiet @ Δp 1 bar (15 psi)	25 ltr/min (6.6 gpm)
Riooldebiet	max. 3 ltr/min (0.8 gpm)
Uitwisselingscapaciteit per servicecyclus	150 ppm x m ³ (2,300 grains)
Zoutverbruik per regeneratie	300 gr (0.66 lb)
Waterverbruik per regeneratie	18 ltr (4.8 gal)

TOESTEL-LOGBOEK

Model: DTSO-100-M DTSO-100-B DTSO-100-BS

Serienummer: _____

Installatiedatum: _____

Firmanaam: _____

Installateurnaam: _____

Tel. nummer: _____

Registreer u toestel op :



Delta Water Engineering, de fabrikant van dit toestel, behoudt alle rechten op het auteursrecht van deze Installatie & Bedienings-handleiding. Reproductie van enig deel van dit document, in welke vorm dan ook, is niet toegestaan zonder de uitdrukkelijke schriftelijke toestemming van de fabrikant. De fabrikant behoudt zich het recht voor om wijzigingen aan te brengen zonder voorafgaande kennisgeving.

© Delta Water Engineering

VOORZORGSMAATREGELEN & INTRODUCTIE

ALGEMEEN

- **Lees deze gids aandacht door.** Het niet opvolgen van de instructies in deze gids:
 1. **zal de garantie doen vervallen.**
 2. kan tot persoonlijk letsel of schade aan het toestel of het eigendom leiden, waarvoor de fabrikant niet verantwoordelijk gehouden kan worden.
- Neem bij vragen of opmerkingen contact op met uw Delta-leverancier voordat u begint met de installatie van het toestel.
- Bewaar deze handleiding op een veilige plaats en zorg ervoor dat nieuwe gebruikers bekend zijn met de inhoud.
- Zorg ervoor dat u alle benodigde gereedschappen bij de hand hebt voordat u begint met de installatie van het toestel.
- Volg alle lokale wettelijke voorschriften.

BEOOGD GEBRUIK VAN HET TOESTEL

- Het apparaat is bedoeld om hardheidionen (calcium, magnesium) uit koud drinkwater te verwijderen; het zal geen andere verontreinigingen die zich in het water bevinden verwijderen!
- Het apparaat is voornamelijk bedoeld voor huishoudelijke toepassingen; tijdens regeneratie bevindt het apparaat zich in automatische bypass, wat resulteert in een korte periode van onbehandeld hard water.

INSTALLATIE VAN HET TOESTEL

- Het toestel moet op een vlakke, stabiele ondergrond worden geïnstalleerd.
- Het toestel moet binnenshuis worden geïnstalleerd, beschermd tegen direct zonlicht.
- Het toestel moet op een droge plaats worden geïnstalleerd en zeker niet in een zure omgeving.
- Installeer het toestel niet in de buurt van een warmtebron; de omgevingstemperatuur moet lager zijn dan 40 °C (104 °F).
- Bescherm het toestel en alle hydraulische aansluitingen tegen vorst.

WERKING

Dit toestel is een waterontharder die hardheid uit het binnenkomende water verwijdert. Het toestel werkt volgens het principe van 'ionenuitwisseling'.

In servicemodus wisselt het de hardheidionen calcium (Ca) en magnesium (Mg) uit door natrium (Na). Aan het begin van de servicecyclus zijn de ionenuitwisselingsharskorrels in het apparaat beladen met natriumionen; omdat het ionenuitwisselingshars een voorkeur heeft om calcium- en magnesiumionen aan te trekken, geven de harskorrels, wanneer hard water door het apparaat stroomt, hun natriumionen af aan het water en vervangen ze deze door calcium- en magnesiumionen. Dit ionenuitwisselingsproces gaat door tot alle natriumionen op de harskorrels vervangen zijn door calcium- en/of magnesiumionen; op dat moment zijn de harskorrels 'verzadigd' en moeten ze worden geregenereerd.

In regeneratiemodus wordt het ionenuitwisselingsproces omgekeerd. De zoutbak, die regeneratiezout bevat (NaCl = natriumchloride), wordt automatisch gevuld met een specifieke hoeveelheid water, die een specifieke hoeveelheid regeneratiezout oplost om een pekeloplossing te vormen. Deze pekeloplossing wordt door de besturingsklep opgezogen door middel van een vacuüm en stroomt over de verzadigde harskorrels in het toestel, naar de afvoer. Tijdens deze 'pekelcyclus' wordt het ionenuitwisselingsproces omgekeerd dankzij de overmatige concentratie van natriumionen in de pekeloplossing; de harskorrels geven hun calcium- en

magnesiumionen af aan het spoelwater en vervangen deze opnieuw door natriumionen. Wanneer het toestel in regeneratie is, gaat het automatisch in bypass, wat resulteert in een korte periode van onbehandeld hard water.

Het toestel werkt uitsluitend door de hydraulische druk van de inkomende watertoevoer; daarom heeft het geen elektrische componenten, zoals transformatoren, motoren, schakelaars of kabels. Alle bewegende delen in het toestel worden enkel door de waterdruk in beweging gebracht.

LEVERINGSOMVANG & HOOFDCOMPONENTEN

Illustratie 1

- ① Bypasskraan (3/4" mann. BSP)
- ② Besturingsklep
- ③ Harstank
- ④ Pekelbak
- ⑤ Pekelklep
- ⑥ Ingangspoort van besturingsklep
- ⑦ Uitgangspoort van besturingsklep
- ⑧ Instelschroef resthardheid
- ⑨ Instelschroef binnenkomende hardheid
- ⑩ Aansluiting van pekelklep met insteek koppeling 4 mm
- ⑪ Afvoeraansluiting

INSTALLATIE

VOORBEREIDING

Illustratie 2

Voor DTSO-100-M:

1. Bepaal voor de specifieke installatielocatie de meest praktische oriëntatie van de aansluitingen; ze kunnen gericht worden naar de linker-, de achter- of de rechterkant van de pekelbak.
2. Verwijder de deksels van de pekelbak.
3. Verwijder de besturingsklep en harstank uit de pekelbak.
4. Positioneer de steunplaat in de pekelbak in de correcte positie; de pijl (➔) in de steunplaat geeft de oriëntatie van de hydraulische aansluitingen aan.

Illustratie 3

5. Voor DTSO-100-M en DTSO-100-B: boor een gat met diam. 21 mm (0,83") in de zijwand van de pekelbak; de exacte positie van het gat is niet belangrijk, zolang het ca. 10 cm (4") onder de rand van de pekelbak is; zorg ervoor alle boorresten te verwijderen uit de pekelbak.
6. Steek de overloopelleboog (met dichting) in het gat; aan de binnenkant van de pekelbak, zet de overloopelleboog vast door middel van de moer.
7. Voor DTSO-100-M: plaats de besturingsklep en harstank terug in de pekelbak in de correcte positie.

INGANG - UITGANG

BELANGRIJKE OPMERKING

- **HET WATER MOET VRIJ TE ZIJN VAN SEDIMENT, CHLOOR, IJZER EN MANGAAN!** We raden ten eerste de installatie aan van een sediment-voorfilter en/of andere beschermingsfilter(s) stroomopwaarts van het toestel.
- **DE DRUK AAN DE UITGANG VAN HET TOESTEL MOET TEN ALLEN TIJDE MINSTENS 1 BAR ZIJN OM DE GOEDE WERKING TE VERZEKEREN!** In geval van twijfel, raden we ten eerste de installatie aan van onze eigen Pressure Guard.
- We raden ten eerste aan om het toestel aan het ledigingnetwerk aan te sluiten door middel van flexibele slangen.
- Indien het toestel niet geïnstalleerd wordt gebruikmakend van de meegeleverde bypasskraan, raden we ten eerste aan om een 3-kranen-bypass te installeren om het toestel te isoleren van het leidingnetwerk.
- De meegeleverde bypasskraan is niet bedoeld om als zelfstandige afsluiter te worden gebruikt.
- Voordat u begint met de loodgieterij, moet u de watertoevoer naar de plaats van installatie afsluiten en het leidingnetwerk drukloos maken.

Illustratie 4

1. Installeer de bypasskraan, met de groene knop naar boven gericht, op de ingang/uitgangspoorten van de besturingsklep; zorg ervoor dat het filter in de ingangspoort op zijn plaats blijft; zet de bypasskraan vast met de clipsen.
2. Sluit de watertoevoer aan op de ingang; respecteer de stromingsrichting, zoals aangegeven met behulp van een pijl (➔).
3. Sluit de interne loodgieterij aan op de uitgang; respecteer de stromingsrichting, zoals aangegeven met behulp van een pijl (➔).

AFVOER

BELANGRIJKE OPMERKING

- Gebruik altijd de meegeleverde grijze versterkte flexibele slang om de afvoer van de besturingsklep en de overloop van de pekelbak aan te sluiten op het rioolstelsel.
- Gebruik altijd aparte slangen voor de besturingsklep en de overloop van de pekelbak.
- In geval van een permanente verbinding van de slangen met het rioolstelsel, moet een luchtspleet worden voorzien om elke vorm van terugstroming te voorkomen. Gebruik de meegeleverde D.O.D. afvoeradapter; zorg ervoor dat deze wordt geïnstalleerd in een standpijp die minstens 20 cm lang is.
- Voor een goede werking van het toestel, vermijd knippen en onnodige knikken en verhogingen van de afvoerslang.

Illustratie 5 - 6

1. In het geval dat een D.O.D. afvoeradapter wordt gebruikt, installeer deze in de standpijp; hij past in een 40 mm buis of een 40 mm koppelstuk. Zorg voor een permanente en waterdichte verbinding.
2. Schuif één uiteinde van een eerste flexibele slang over de afvoeraansluiting van de besturingsklep; gebruik zeepwater als glijmiddel; duw ze er zo ver mogelijk over.
3. Leid het andere uiteinde van de flexibele slang naar het rioolstelsel; kort de slang in tot de juiste lengte. Deze slang opereert onder druk en mag dus hoger geïnstalleerd worden dan het toestel (max. 2 mtr).
4. In het geval dat een D.O.D. afvoeradapter geïnstalleerd is, schuif de flexibele slang over een van de twee slangaansluitingen op de D.O.D. afvoeradapter; gebruik zeepwater als glijmiddel; duw ze er zo ver mogelijk over.
5. Schuif één uiteinde van een tweede flexibele slang over de overloopelleboog van de pekelbak; gebruik zeepwater als glijmiddel; duw ze er zo ver mogelijk over.
6. Leid het andere uiteinde van de flexibele slang naar het rioolstelsel; kort de slang in tot de juiste lengte. Deze slang opereert NIET onder druk en mag dus NIET hoger geïnstalleerd worden dan het toestel.
7. In het geval dat een D.O.D. afvoeradapter geïnstalleerd is, schuif de flexibele slang over een van de twee slangaansluitingen op de D.O.D. afvoeradapter; gebruik zeepwater als glijmiddel; duw ze er zo ver mogelijk over.

ONDER DRUK ZETTEN

BELANGRIJKE OPMERKING

- Tgv de loodgieterij kunnen er onzuiverheden en vreemde materialen achterblijven in de leidingen; we raden ten eerste aan om alle waterverbruikende toestellen van het waternetwerk te isoleren (dwz los te koppelen of in bypass te plaatsen!) terwijl de leidingen worden gespoeld, om te voorkomen dat deze onzuiverheden en vreemde materialen in deze waterverbruikende toestellen terechtkomen.

1. Zorg ervoor dat de knop van de bypasskraan in de 'BYPASS' positie staat; draai indien nodig de knop in uurwijzerzin naar de 'BYPASS' positie.
2. Open de watertoevoer.
3. Open een koudwaterkraan stroomafwaarts van het toestel en laat het water lopen tot alle lucht verwijderd is en alle vreemde materialen uitgespoeld zijn; sluit de kraan.
4. Draai de knop van de bypasskraan in tegenuurwijzerzin naar de 'SERVICE' positie.
5. Open een koudwaterkraan stroomafwaarts van het toestel en laat het water lopen tot alle lucht verwijderd is; sluit de kraan.
6. Controleer het toestel en alle hydraulische aansluitingen op lekkages.

OPSTART / MANUELE REGENERATIE

Illustratie 7 - 8

1. Vul de pekelbak met regeneratiezout.
2. Voeg met behulp van een recipiënt water toe aan de pekelbak :
DTSO-100-M : ca. 6 ltr
DTSO-100-B : ca. 6 ltr
DTSO-100-BS : ca. 3 ltr
3. Op de besturingsklep van het toestel, draai met behulp van een n° 5 inbussleutel de programmaschijf in tegenuurwijzerzin totdat de regeneratie start.
4. Laat het toestel een volledige regeneratie uitvoeren, dewelke ca. 15 min duurt; daarna keert het toestel automatisch terug naar de servicepositie.
5. Controleer de afvoerslang van de besturingsklep; er mag geen water stromen.

INSTELSCHROEF BINNENKOMENDE HARDHEID

BELANGRIJKE OPMERKING

- *De hardheid van het binnenkomende onbehandeld water kan variëren in de tijd, afhankelijk van de seizoenen en de oorsprong van het water. Wij raden aan de waterhardheid regelmatig na te kijken, op zijn minst om de 3 maanden, en de instelling van de instelschroef binnenkomende hardheid dienovereenkomstig aan te passen.*

Illustratie 9

1. Bepaal de hardheid van het binnenkomende onbehandelde water; zorg ervoor deze uit te drukken in 'ppm CaCO₃':
1 °f (Franse graad) = 10 ppm CaCO₃
1 °D (Duitse graad) = 17,8 ppm CaCO₃
1 gpg (grains par gallon) = 17,1 ppm CaCO₃
2. Draai met behulp van een n° 5 inbussleutel de instelschroef binnenkomende hardheid naar de 'ppm' waarde die overeenkomt met de hardheid van het binnenkomende onbehandelde water.

INSTELSCHROEF RESTHARDHEID

BELANGRIJKE OPMERKING

- *De instelschroef resthardheid kan gebruikt worden om de resthardheid af te regelen van het behandeld water wanneer dit het toestel verlaat. Eenmaal ingesteld, mengt ze in een vaste verhouding onbehandeld water bij het behandeld water. Derhalve zal de resthardheid mogelijke fluctuaties van de hardheid van het binnenkomende onbehandelde water volgen.*

Illustratie 10

1. Bepaal de mengverhouding, door de gewenste resthardheid te delen door de hardheid van het binnenkomende onbehandelde water.
2. Draai met behulp van een n° 5 inbussleutel de instelschroef resthardheid naar de gewenste mengverhoudingswaarde.
3. Open een koudwaterkraan stroomafwaarts van het toestel en laat het water enige tijd lopen; neem een waterstaal en meet de resthardheid van het water; pas indien nodig de instelling van de instelschroef resthardheid aan:
 - om de resthardheid te verhogen: draai de instelschroef resthardheid in tegenuurwijzerzin.
 - om de resthardheid te verlagen: draai de instelschroef resthardheid in uurwijzerzin.

BELANGRIJKE OPMERKING

- *Niettegenstaande het toestel samengesteld is uit hoogwaardige materialen en componenten, is een basisinspectie door de gebruiker noodzakelijk om te controleren of het goed werkt en optimaal presteert.*
- *Wanneer een storing op het toestel wordt geconstateerd, raden we u ten eerste aan om het toestel onmiddellijk in bypass te plaatsen en contact op te nemen met uw lokale Delta Water Engineering-leverancier voor assistentie.*
- *We raden aan om het toestel regelmatig te laten onderhouden door een goed geschoolde professionele techniker. Hij kan het juiste onderhoudsinterval voor het toestel bepalen, afhankelijk van uw specifieke toepassing en de lokale bedrijfsomstandigheden.*

BASISINSPECTIE

Ten minste om de 3 maanden moet de gebruiker een basisinspectie van het toestel uitvoeren:

1. Controleer de afvoerslang van de besturingsklep; er mag geen water stromen (tenzij het toestel in regeneratie is).
2. Controleer de slang van de overloop van de pekelbak; er mag geen water stromen.
3. Controleer het toestel en alle hydraulische aansluitingen op lekkages. Bij het minste teken van lekkage, draai de bypassknop onmiddellijk in uurwijzerzin naar de 'BYPASS' positie.
4. Meet de hardheid van het binnenkomende onbehandelde water; pas indien nodig de instelling van de instelschroef binnenkomende hardheid aan.
5. Meet de resthardheid van het behandeld water; pas indien nodig de instelling van de instelschroef resthardheid aan.

TOESTEL IN BYPASS PLAATSEN

Het toestel wordt geleverd met een bypasskraan waarmee de gebruiker het apparaat hydraulisch van het leidingnetwerk kan isoleren.

- Om het toestel in bypasspositie te plaatsen: draai de knop van de bypasskraan in uurwijzerzin naar de 'BYPASS' positie.
- Om het toestel in bedrijfspositie te plaatsen: draai de knop van de bypasskraan in tegenuurwijzerzin naar de 'SERVICE' positie.

REINIGING

BELANGRIJKE OPMERKING

- *GEbruik NOOIT AGRESSIEVE, BIJTENDE, ZURE OF ALKALISCHE PRODUCTEN OM HET TOESTEL TE REINIGEN, ZE KUNNEN DE KUNSTSTOF ONDERDELEN VAN HET TOESTEL BESCHADIGEN!*

1. Reinig het toestel voorzichtig met behulp van een vochtige doek.

ZOUT BIJVULLEN

BELANGRIJKE OPMERKING

- *EEN VOLDOENDE HOEVEELHEID REGENERATIEZOUT IN DE PEKELBAK IS ESSENTIEEL VOOR DE GOEDE WERKING VAN HET TOESTEL. We raden ten eerste aan om het regelmatig te controleren.*
- *Het zoutverbruik van het toestel is afhankelijk van het waterverbruik en de hardheid van het binnenkomende onbehandelde water. Neem voor meer informatie contact op met uw lokale Delta Water Engineering leverancier.*

1. Verwijder het deksel van de pekelbak.
2. Controleer het zoutniveau in de pekelbak; wanneer het minder is dan ½ vol, vul de pekelbak met regeneratiezout.
3. Installeer het deksel op de pekelbak.

ZUIVER MAKEN

BELANGRIJKE OPMERKING

- *GEbruik UITSLUITEND ONS EIGEN HARSREINIGINGSPRODUCT OM HET TOESTEL ZUIVER TE MAKEN! GEbruik NOOIT ANDERE HARSREINIGINGSPRODUCTEN, ZE KUNNEN DE KUNSTSTOF ONDERDELEN VAN HET TOESTEL ASLOOK HET IONENUITWISSELINGSHARS BESCHADIGEN !*
- *Telkens wanneer het toestel in contact is geweest met water van onbekende kwaliteit, raden we ten sterkste aan het toestel grondig zuiver te maken alvorens het terug in gebruik te nemen. Neem contact op met uw lokale leverancier voor assistentie.*
- *In geval van een lange periode van niet-gebruik van het toestel, raden we ten sterkste aan het toestel grondig te spoelen door een koudwaterkraan te openen stroomafwaarts van het toestel en het water enkele minuten te laten lopen. Bijkomend kan u manueel nog een regeneratie starten.*

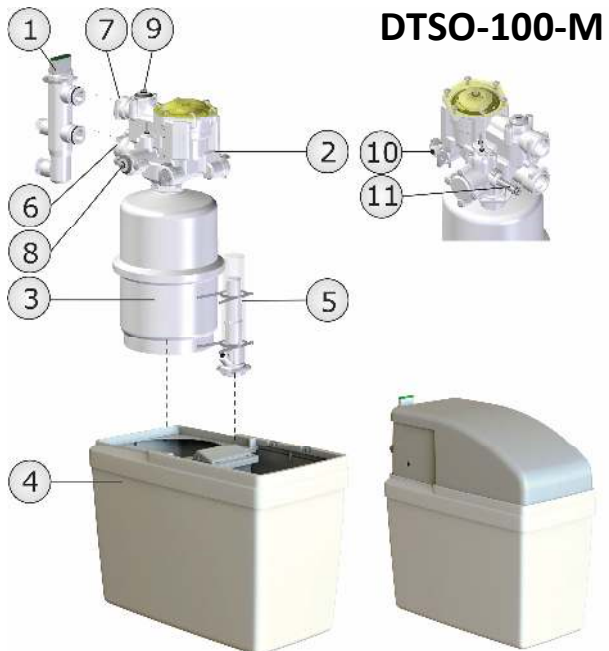


Delta Water Engineering NV
Waesdonckstraat 1
2640 Mortsel
Belgium

www.deltawaterengineering.com



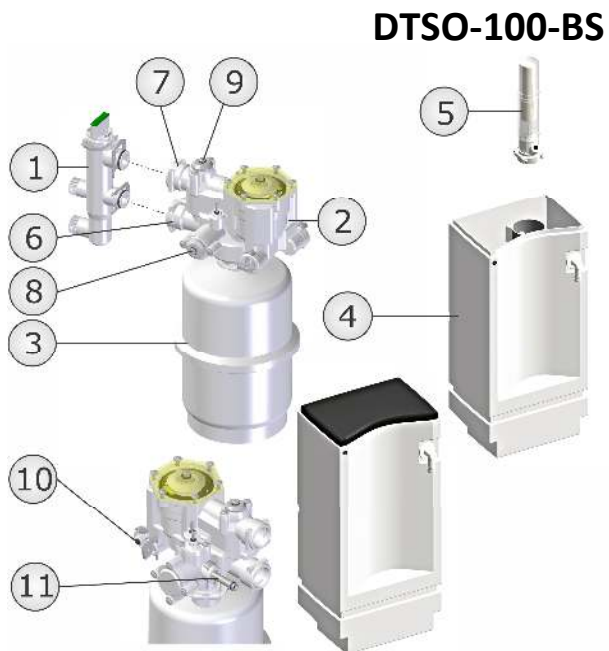
1.a



1.b



1.c



2.a



2.b





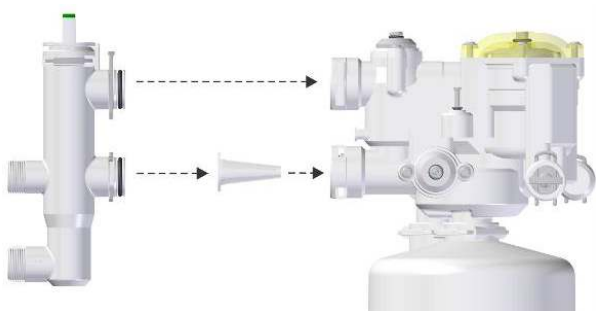
2.c



3

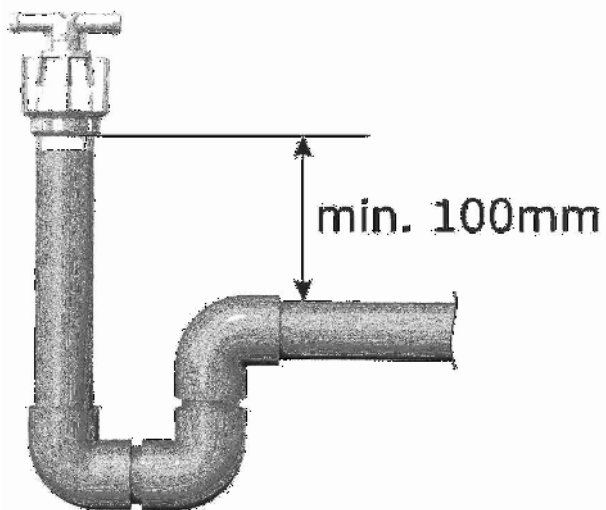


4





5.a



5.b



6.a



6.b



6.c



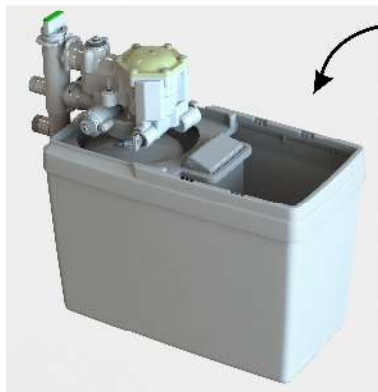
6.d





7.a

DTSO-100-M



7.b

DTSO-100-B

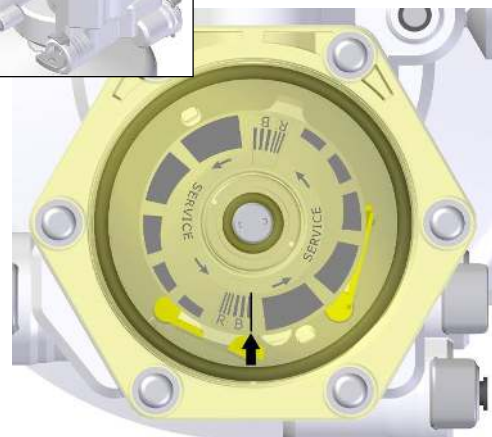
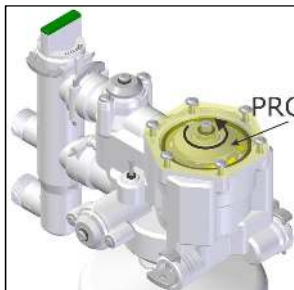


7.c

DTSO-100-BS



8



9



10

